

USER MANUAL



Thank you for choosing Better Bathrooms.
Please read this manual before installing your product
and keep for future reference.

**better
bathrooms**

Product

BeBa_25960 - Camden Double-handle basin mixer Chrome

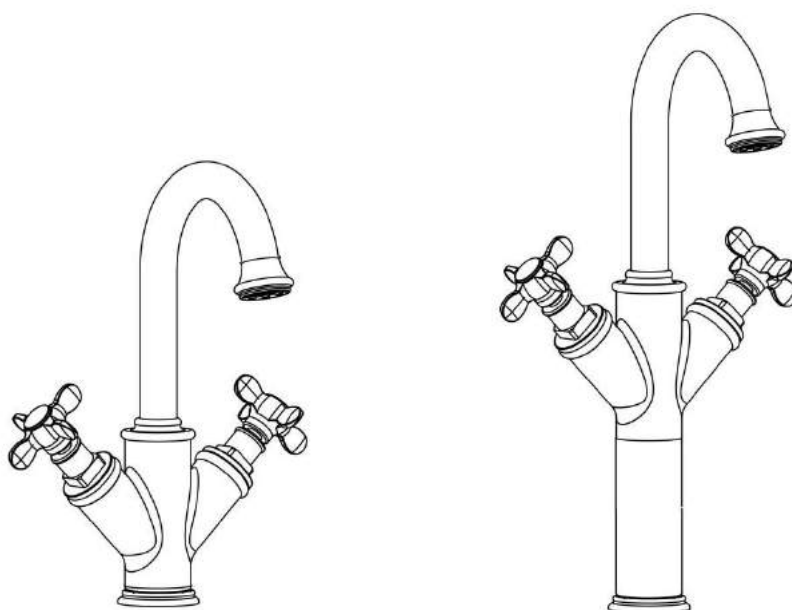
BeBa_25965 - Camden Double-handle basin mixer Matt Black

BeBa_25970 - Camden Double-handle basin mixer Brushed Brass

BeBa_25962 - Camden Double-handle extended basin mixer Chrome

BeBa_25967 - Camden Double-handle extended basin mixer Matt Black

BeBa_25972 - Camden Double-handle extended basin mixer Brushed Brass



- **Single-person assembly**
- **Tools required**
- **We always recommend using professional tradespeople to install your product**

V1_09/9/2021

Congratulations on your purchase

And welcome to our growing gang of savvy shoppers

We're on a mission to bring you extraordinary bathroom products, for less. From modern to traditional style ceramics, plus the gorgeous fixtures, fittings and furniture to match. So, you can fall in love with your space every single day.

As one of the UK's largest independent bathroom stores, we've received countless awards; including the National Business Awards UK, the Digital Entrepreneur Awards and being placed on The Sunday Times Fast Track 100.

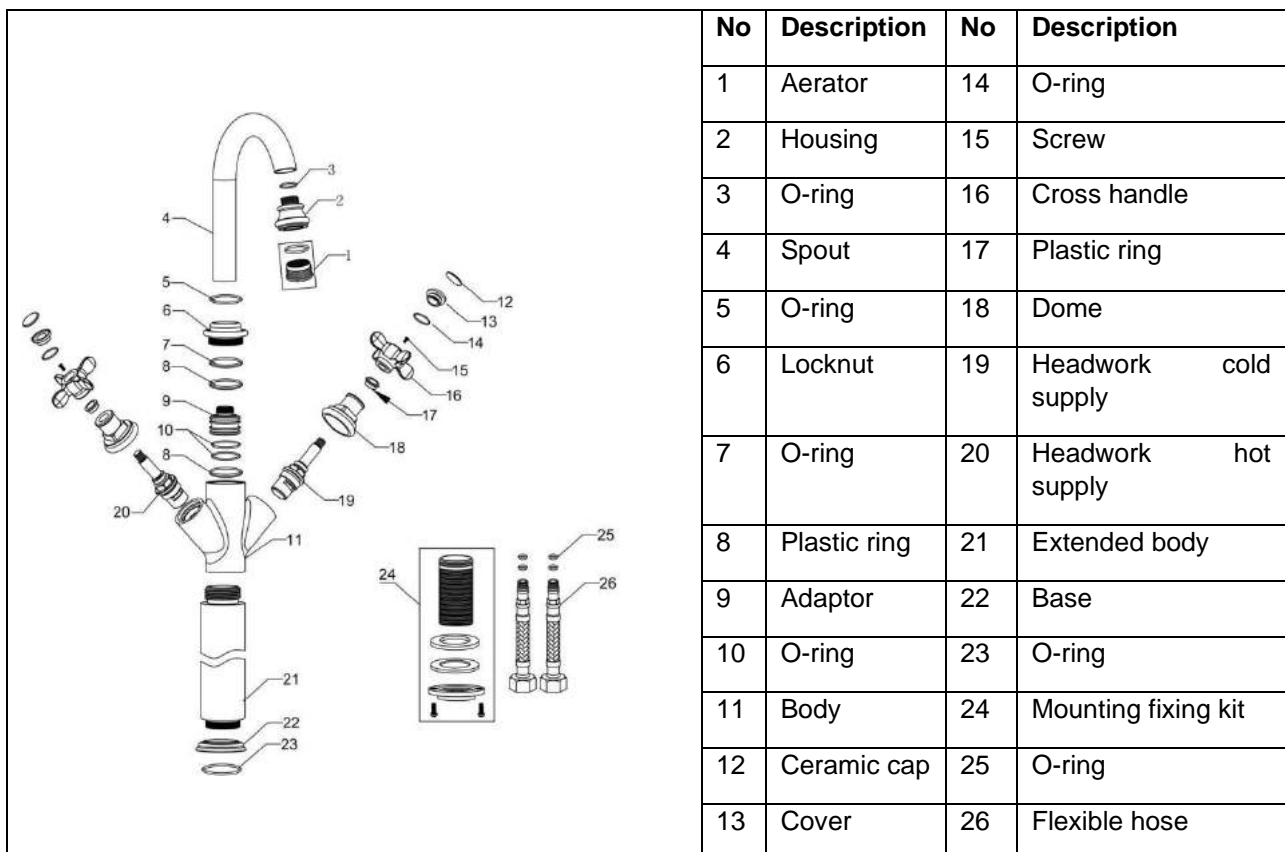
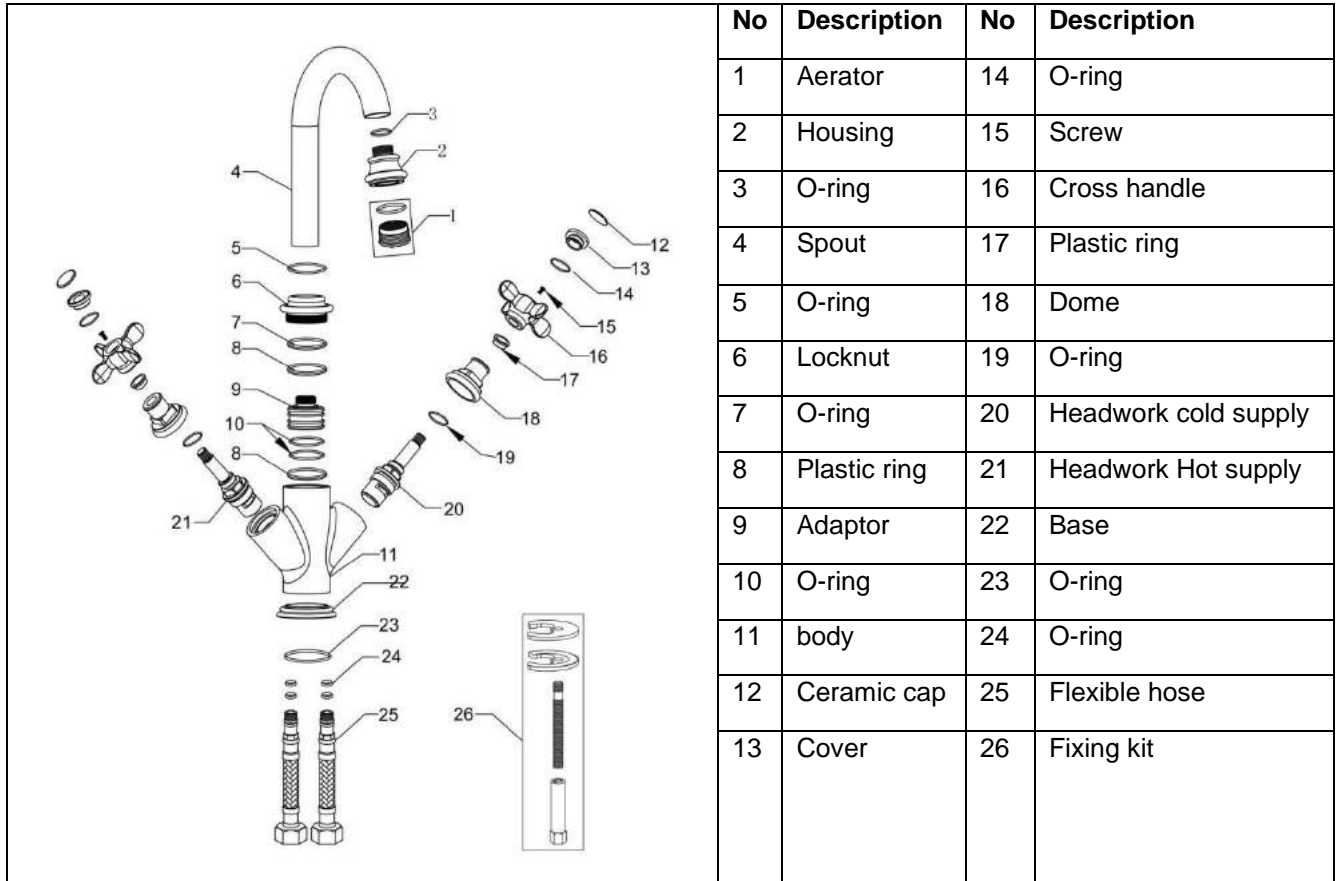
We hope your new product goes above and beyond your expectations. However, should any problems occur, please:

- log in to your account and contact our customer services team via your self-serve portal – betterbathrooms.com/Account/Login
- contact us via betterbathrooms.com/content/contact-us

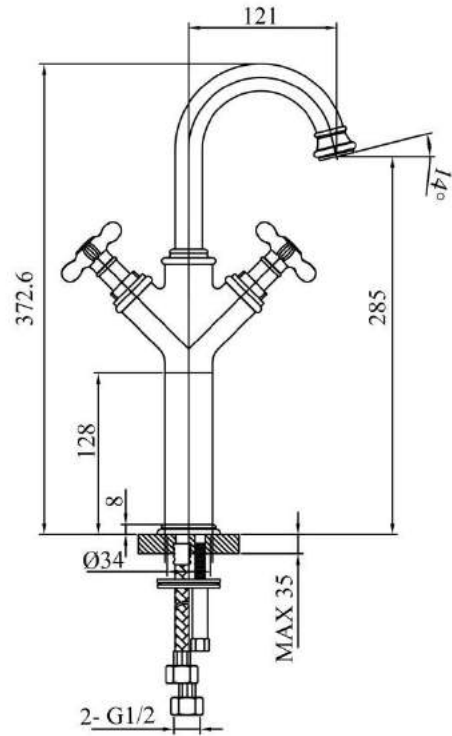
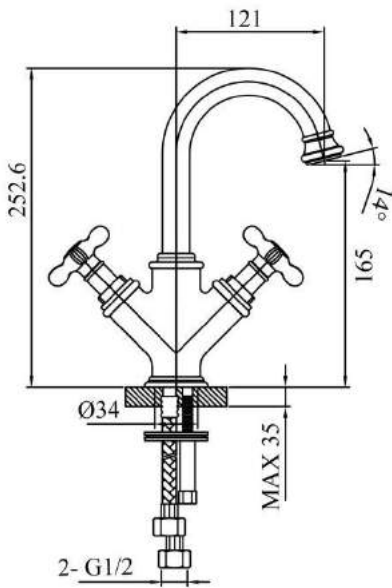
Important information

- Please read these instructions thoroughly and retain for future reference
- Installation must be carried out in compliance with The Water Fittings Regulations and Scottish Water Byelaws.
- The system must be flushed prior to installation
- Minimum and Maximum working pressure : 0.5 - 5 bar
- Pressures must be equal for optimum performance
- Please do not connect hot and cold water supply lines in reverse. This could result in hot water flowing from cold line and cause scalding.
- The feed-water temperature of water shall not exceed 85° C.
Exceeding 85° may cause scalding, the service life of faucets might be shortened, or the faucet might be damaged.
- After installation, please make sure the faucet is securely mounted and checked for leaks.

Parts / Diagrams



Dimensions

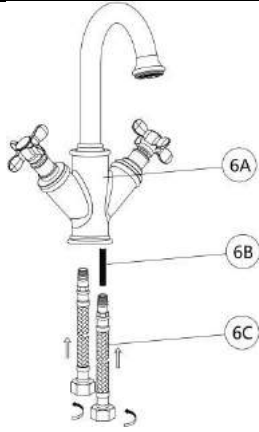


Tools required

- Spanner
- Screw driver

Installation

	<p>BeBa_25960/BeBa_25965/BeBa_25970:</p> <p>Install the two inlet hoses(6C) into the faucet(6A), these should only be hand tightened.</p> <p>Next fit Fixing bar (6B) into the mixer body and tighten.</p> <p>Ensure the o-ring (23) is fitted between the</p>
--	--



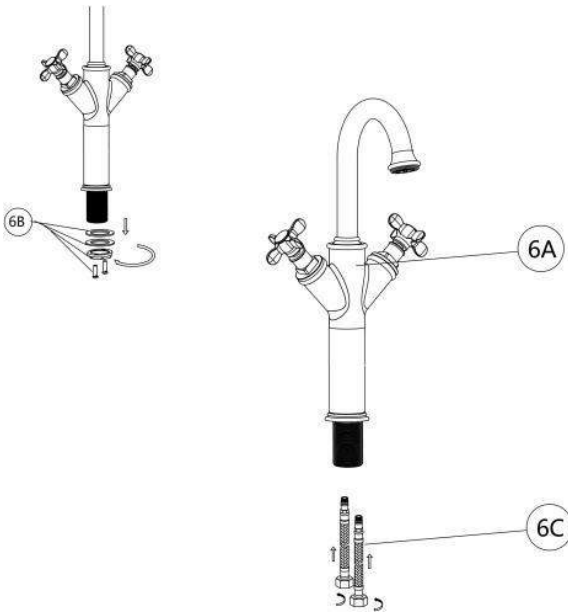
base and basin/top

From above basin, push the inlet hoses(6C) and fixing bar (6B) through the hole on basin and position correctly.

BeBa_25962/BeBa_25967/BeBa_25972:

Remove the mounting hardware kit(6B) from the faucet;

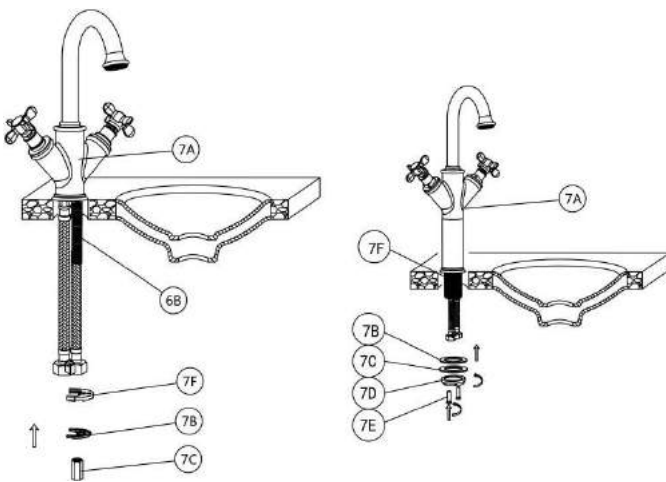
Install the two inlet hoses(6C) into the faucet(6A), these should only be hand tightened.



Ensure the o-ring (23) is fitted between the base and basin/top

From above basin, push the inlet hoses(6C) through the hole on basin and position correctly.

Do not allow the hoses to be kinked or twisted



BeBa_25960/BeBa_25965/BeBa_25970:

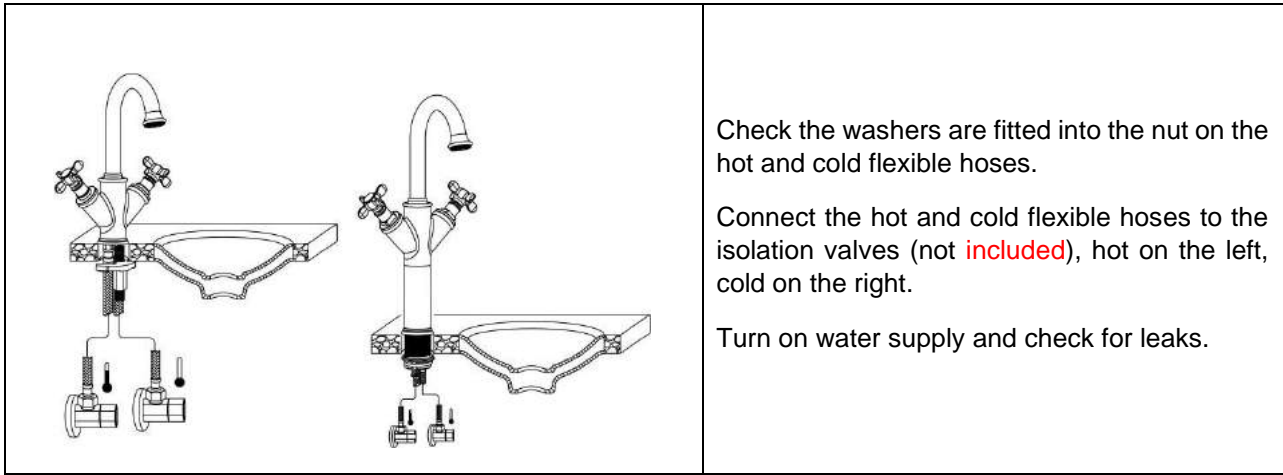
From underneath basin, secure mixer body (7A) by placing Rubber Washer(7F), Metal Washer(7B) onto the Fixing Bar (6B), followed by Fixing Nut (7C).

Tighten Fixing Nut(7C) until mixer is secure, do not overtighten as this could crack the ceramic.

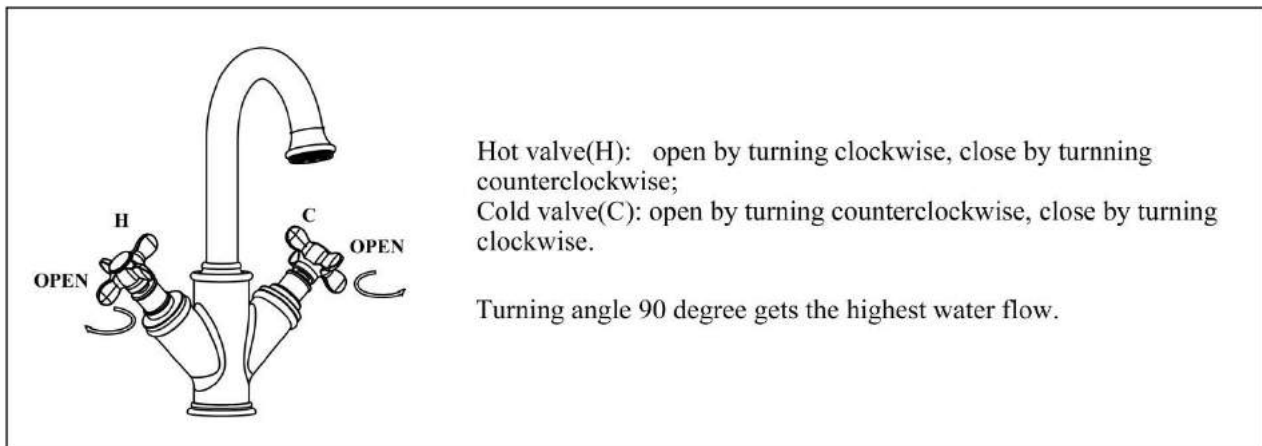
BeBa_25962/BeBa_25967/BeBa_25972:

From underneath basin, secure mixer body (7A) by placing Rubber Washer(7B), Metal Washer(7C) onto the threaded pipe (7F), followed by Fixing locknut (7D) and screws(7E).

Tighten Fixing locknut(7D) and screws(7E) until mixer is secure, do not overtighten as this could crack the ceramic.



Operation

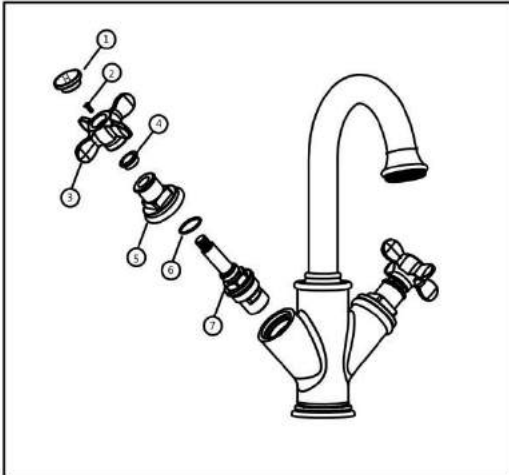


Troubleshooting

Issues	Inspection Item
Poor water flow	<ul style="list-style-type: none"> Is there blockage within the filter mesh on aerator Is the flexible hose kinked or twisted Was the system flushed prior to installation Is the mixer cartridge free from debris
Water leak	<ul style="list-style-type: none"> Is there damage or dirt within the O-rings of the cartridge Is there damage or dirt with the rubber washers in the of aerator Is the locknut on top of cartridge fully tightened Is there damage within the rubber washer inside the nuts of flexible hoses Is there damage with the O-rings on the flexible hoses
Handle loose	<ul style="list-style-type: none"> Is the screw inside the handle fully tightened Is the locknut on top of cartridge fully tightened

Body loose	<ul style="list-style-type: none"> • Is the fixing kit underneath fully tightened
------------	--

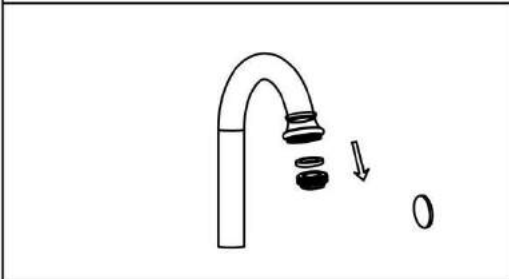
Maintenance



REPLACEMENT OF CARTRIDGE

Turn off the valves to release pressure of waterpipe. Unscrew the ceramic cap(1) and remove the screw(2) with a screwdriver. Take out the handle(3) and plastic ring(4). Then disassemble the dome(5)(use tool if needed). Take out the cartridge upward vertically. Assemble a new cartridge by reverse steps.

Type 1: Coin Slot Aerator



Type 2: Hidden Aerator with Aerator Key



CLEANING OF AERATOR

To avoid the dust and impurities from construction that might influence water flow, it is suggested to clean the aerator on a regular basis. Disassemble aerator as per graphic on the left and install the aerator by reverse steps.

Cleaning

To maintain the surface of your product, wipe with a clean damp cloth and wipe dry, do not use any abrasive cleaning agents or materials. If any harsh chemicals come into contact with the surface of the product, rinse and wipe clean immediately.

For more information

- visit betterbathrooms.com
- email customerservices@buyitdirect.co.uk
- call 03303903062
- write to Trident Business Park, Neptune Way, Huddersfield, HD2 1UA

better 
bathrooms

Part of the BuyItDirect Group